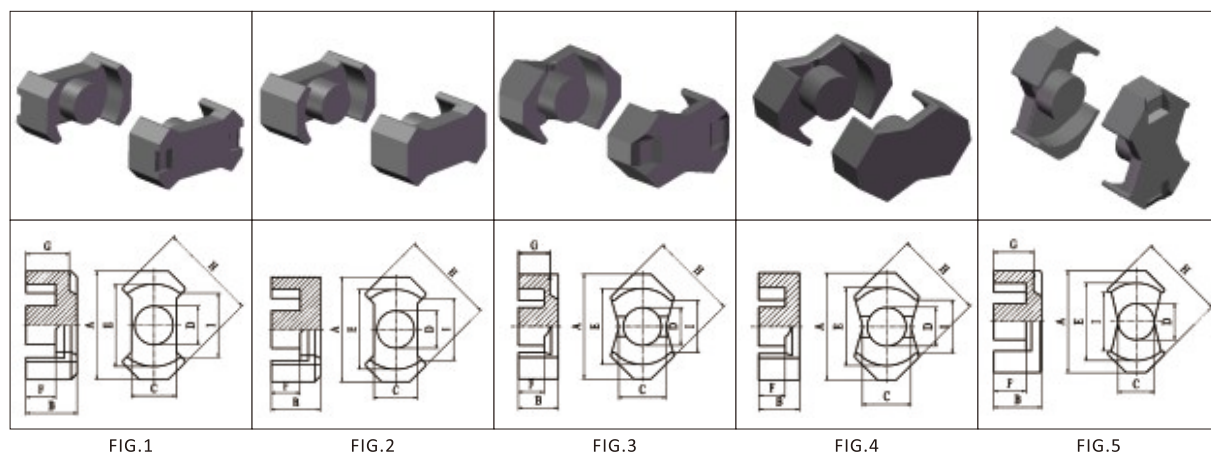
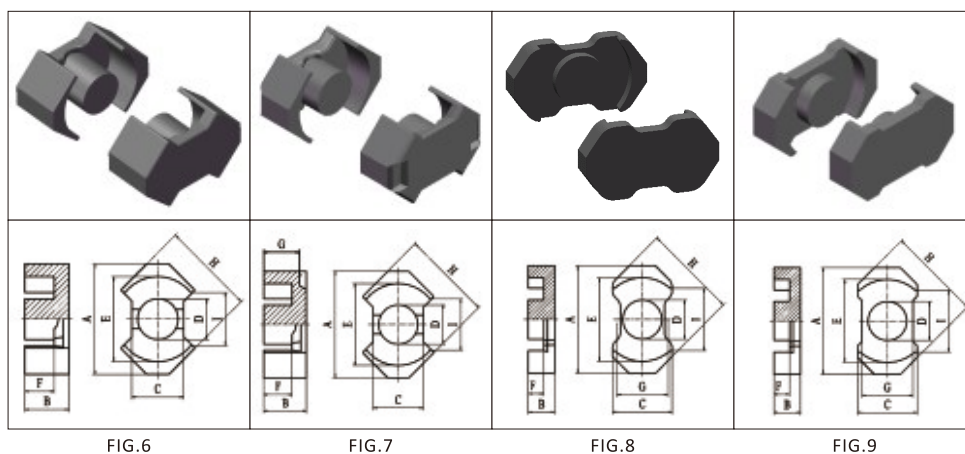


锰锌氧铁材料规格尺寸 Specification and Dimensions of MnZn Ferrite Material



RM 型 / RM Core

型号 TYPE	图例 FIG.	尺寸 Dimensions (mm)								
		A	B	C	D	E	F	G	H	I
RM4/10.5F	2	10.75±0.25	5.25±0.15	4.5±0.1	3.8±0.1	8.15±0.2	3.65±0.15	4.65±0.125	9.6±0.2	5.8min
RM4/10.5	1	10.75±0.25	5.25±0.15	4.5±0.1	3.8±0.1	8.15±0.2	3.65±0.15	5.32±0.15	9.6±0.2	5.8min
RM5AN	7	14.6+0/-0.6	5.2±0.1	6.8+0/-0.4	4.9+0/-0.2	10.2+0.4/-0	3.25±0.15		12.3+0/-0.5	6min
RM6.3/12.4A	3	17.6±0.3	6.2±0.1	7.9±0.3	6.25±0.15	12.65±0.25	4.2+0.2/-0.1		14.4±0.3	8.4min
RM6	4	17.6±0.3	6.2±0.1	7.9±0.3	6.25±0.15	12.65±0.25	4.2+0.2/-0.1		14.4±0.3	8.4min
RM6.3/12.6	4	17.6±0.3	6.3±0.1	7.9±0.3	6.25±0.15	12.65min	4.2+0.2/-0.1		14.4±0.3	8.8min
RM6/8B	4	17.9+0/-0.6	4+0/-0.1	8.2+0/-0.4	6.4+0/-0.2	12.4+0.5/-0	1.75+0.2/-0	7.35±0.15	14.7+0/-0.6	8.4min
RM7/13.5	5	20.3+0/-0.8	6.75+0/-0.2	7.1±0.15	7.25+0/-0.3	14.75min	4.2+0.35/-0		17.2+0/-0.7	9.3min
RM8BN	7	22.75±0.45	8.2±0.1	10.8±0.2	8.4±0.15	17.3±0.4	5.5±0.15		19.5+0/-0.8	9.8min
RM8/20.5	6	23.2+0/-0.9	10.25±0.1	11+0/-0.4	8.55+0/-0.3	17.3±0.4	7.4±0.15	8.35±0.125	19.7+0/-0.8	9.8min
RM9/10.7A	9	25±0.5	5.35±0.15	14±0.25	9.1±0.15	19.4±0.4	2.5±0.15		22±0.4	12±0.2
RM10BU	7	27.8±0.65	9.3±0.15	13.25±0.25	10.65±0.2	21.65±0.45	6.4±0.2		24.15±0.55	
RM10.7/17.9	7	27.85±0.45	8.95±0.05	13.25±0.25/0	10.7±0.2	21.65±0.25/0.35	6+0.05/-0.15		24.7±0.55/0.25	
RM10.7/15.2B	6	27.85±0.65	7.6±0.15	13.25±0.25	10.7±0.2	21.65±0.45	4.7±0.15	13.7+0/-0.6	24.15±0.55	13min
RM10/18.6X	6	28.2±0.4	9.3+0.05/-0.1	13.25±0.25	10.65±0.15	22±0.4	6.5±0.15		24.2±0.3	14.2min
RM11/10.1	8	29+0/-0.8	4.95+0.2/-0	16.3+0/-0.6	10.9+0/-0.4	21.8+0.8/-0	1.95+0.3/-0	10.8±0.125	26.15+0/-0.8	16.8min
RM12R	7	37.6+0/-1.5	12.25±0.15	16.1+0/-0.5	12.8+0/-0.4	24.9+1.1/-0	8.55±0.2		29.8+0/-1.2	13.4min
RM12	7	37.6+0/-1.5	11.75±0.1	16.1+0/-0.5	12.8+0/-0.4	24.9+1.1/-0	8.55±0.2	13.75±0.125	29.8+0/-1.2	13.4min
RM14.8/30.6A	7	41.6±0.6	15.3±0.1	18.7±0.3	14.75±0.25	29.5±0.5	10.8±0.15		34.2±0.6	17min
RM14C	7	42.2+0/-1.2	15.05±0.1	19.0+0/-0.6	15.0+0/-0.5	29.0+1.0/-0	10.55±0.2		34.8+0/-1.3	17.0min



RM 型 / RM Core

型号 TYPE	图例 FIG.	参数 Parameters				AL(Ref)*		重量(Ref) g /PRS
		C1	Ae	Le	Ve	TP4A	TPW33	
RM4/10.5F	2	1.77	13.46	23.80	320.30	850	1200	1.75
RM4/10.5	1	1.77	13.46	23.80	320.30	850	1200	1.75
RM5AN	7	1.03	23.22	23.92	555.30	1770	2050	2.90
RM6.3/12.4A	3	0.91	34.07	30.92	1053.40	2470	2800	5.50
RM6	4	0.91	34.07	30.92	1053.40	2470	2800	5.50
RM6.3/12.6	4	0.94	33.08	31.20	1032.10	1930	2340	5.66
RM6/8B	4	0.60	36.03	21.59	777.80	2600	3700	5.60
RM7/13.5	5	0.88	38.91	34.31	1334.80	2600	3000	7.70
RM8BN	7	0.67	59.82	40.35	2413.40	3100	3700	13.00
RM8/20.5	6	0.87	54.25	47.03	2551.40	2700	3400	13.00
RM9/10.7A	9	0.42	72.39	30.76	2226.70	4120	5010	10.90
RM10BU	7	0.53	90.91	47.78	4344.00	4300	5100	23.00
RM10.7/17.9	7	0.48	89.80	43.10	3870.40	4520	5630	21.06
RM10.7/15.2B	6	0.46	90.01	41.17	3705.40	4520	5610	18.40
RM10/18.6X	6	0.49	87.30	42.60	3719.00	4300	5200	21.00
RM11/10.1	8	0.35	91.56	31.98	2928.44	5000	6300	15.30
RM12R	7	0.44	140.90	61.52	8668.20	5500	6680	45.00
RM12	7	0.44	140.90	61.52	8668.20	5500	6680	45.00
RM14.8/30.6A	7	0.39	194.28	74.89	14549.60	5600	7200	75.50
RM14C	7	0.38	194.09	73.94	14350.20	6300	7600	74.50

*-Al为磁心对应参考值,具体规格以双方签订承诺书为准; AL测试条件:1kHz 0.3V 10Ts; AL单位:nH/N²

*-图例仅展示产品形状,具体细节以实物或以双方签订承诺书为准。